

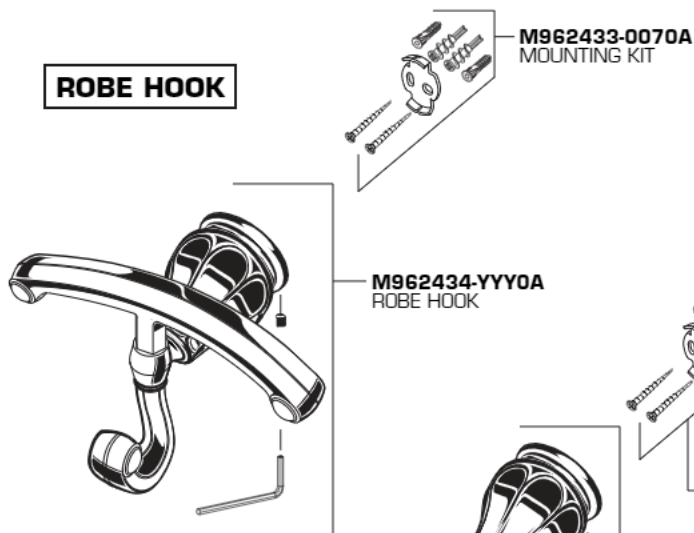
American Standard

ACCESSORIES TOWEL RING SOAP DISH TUMBLER / TOOTHBRUSH HOLDER ROBE HOOK

MODEL NUMBERS

6028.190	6094
6028.150	6095
6028.160	6096
6028.210	6097

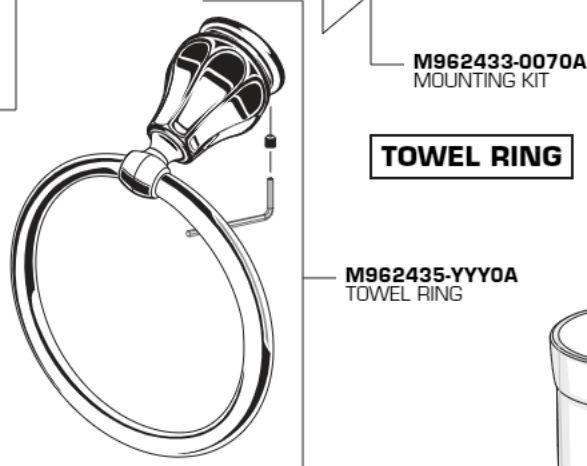
ROBE HOOK



M962434-YYY0A
ROBE HOOK

M962433-0070A
MOUNTING KIT

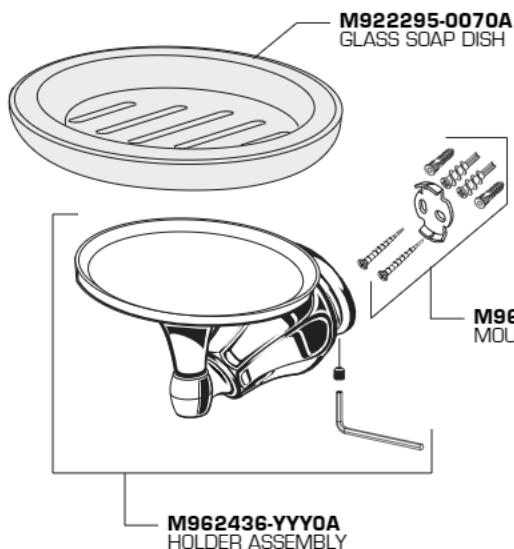
TOWEL RING



M962435-YYY0A
TOWEL RING

M962433-0070A
MOUNTING KIT

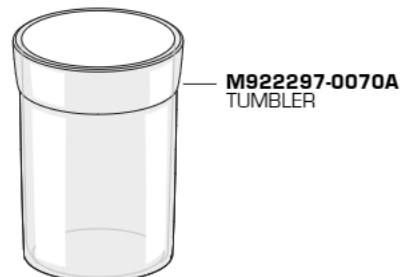
SOAP DISH



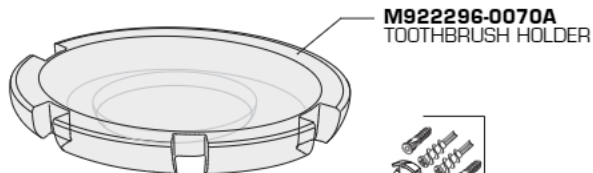
M922295-0070A
GLASS SOAP DISH

M962436-YYY0A
HOLDER ASSEMBLY

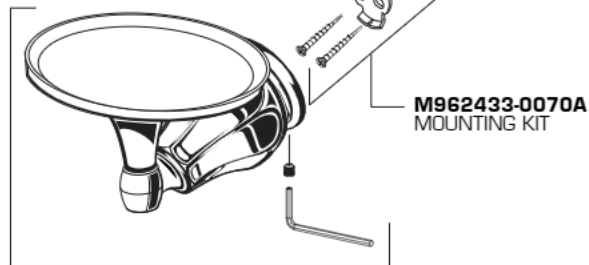
M962433-0070A
MOUNTING KIT



M922297-0070A
TUMBLER



M922296-0070A
TOOTHBRUSH HOLDER



M962433-0070A
MOUNTING KIT

TUMBLER WITH TOOTHBRUSH HOLDER

M962436-YYY0A
HOLDER ASSEMBLY

Replace the "YYY" with appropriate finish code

CHROME	002
SATIN NICKEL	295



HOT LINE FOR HELP
For toll-free information and answers to your questions, call:
1-800-442-1902
Weekdays 8:00 a.m. to 8:00 p.m. EST
IN MEXICO 01-800-839-12-00
IN CANADA 1-800-387-0369 (TORONTO 1-905-306-1093)
Weekdays 8:00 a.m. to 7:00 p.m. EST

Product names listed herein are trademarks of American Standard Inc.
© American Standard Inc. 2005

M968859 REV.1.1